

oerlikon
leybold vacuum

TURBOVAC SL

175.01.02-A
Excerpt from the Oerlikon Leybold Vacuum Full Line Catalog
Product Section C09
Edition September 2008

NEW

Mechanical Rotor Suspension with Frequency Converter for Attaching or Separate with Compound Stage

TURBOVAC SL 80

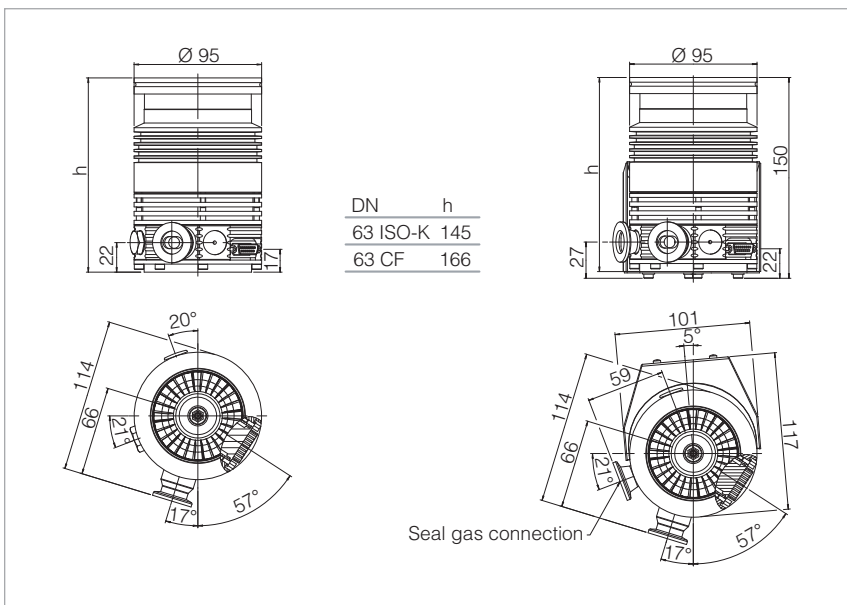


Typical Applications

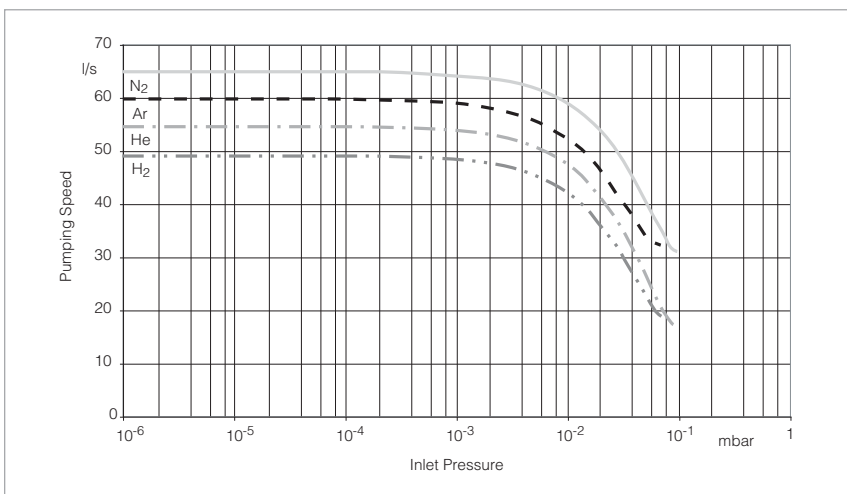
- Helium leak detectors
- Mass spectrometers (gas chromatography GC-MS), liquid chromatography (LC-MS), residual gas analysis, mobile analytical systems, etc.)
- Electron beam microscopy
- XHV-/UHV systems
- Transfer chambers

Technical Features

- Oil free pump
- High pressure foreline tolerance
- Excellent resistance to vibration due to proven mechanical bearings
- Efficient convection cooling due to a large number of cooling fins
- Purge gas/venting connection
- Installation in any orientation
- Flexible attachment of the frequency converter to the pump
- Small footprint
- Delayed venting through the frequency converter TURBO.DRIVE TD 400 (optional)
- Selection of interfaces, RS 232 C, RS 485 C, Profibus, Ethernet



Dimensional drawing for the TURBOVAC SL 80: attachment examples



Pumping speed as a function of the inlet pressure

Advantages to the User

- Easy to integrate into complex vacuum systems
- Space-saving
- Prepared for pumping of slightly corrosive gases owing to the seal gas connection
- High reliability, MTBF over 200,000 hours
- Matching accessories (fan, water cooling, seal gas/venting valves, power failure venting valves, flange heaters, different cable lengths etc.)
- High reliability due to self-monitoring

Technical Data

TURBOVAC SL 80

		O-ring sealed	Metal sealed
Inlet flange	DN	63 ISO-K • 63 CF	
Foreline flange	DN	DN 16 KF	
Purge and vent port		M 8	
Pump housing		Aluminum	Stainless steel
Pumping speed (without splinter guard)			
N ₂	l x s ⁻¹	65	
Ar	l x s ⁻¹	60	
H ₂	l x s ⁻¹	49	
He	l x s ⁻¹	55	
Max. gas throughput with water cooling			
N ₂	mbar x l x s ⁻¹	2.0	
Ar	mbar x l x s ⁻¹	1.6	
H ₂	mbar x l x s ⁻¹	0.5	
He	mbar x l x s ⁻¹	1.2	
Ultimate pressure for CF version with two-stage oil-sealed rotary vane vacuum pump	mbar (Torr)	< 2 x 10 ⁻¹⁰ (< 1,5 x 10 ⁻¹⁰)	
Max. recommended foreline pressure for N ₂ water-cooled	mbar (Torr)	20 (15)	
Recommended forevacuum pump two-stage oil-sealed rotary vane vacuum pump with scroll vacuum pump diaphragm pump		TRIVAC D 2,5 E / TRIVAC NT 5 SCROLLVAC SC 5 D / 15 D DIVAC 0,8 T	
Operating speed	min ⁻¹	72.000	
Run-up time	min	1.5	
Power consumption at run-up	W	120	
at ultimate pressure	W	17	
Protection class	IP	20	
Noise level	dB(A)	< 46	
Ambient temperature during operation	°C (°F)	+15 to +45 (+50 to +113)	
during storage	°C (°F)	-15 to +70 (-5 to +158)	
Weight, approx.			
pump	kg (lbs)	1.9 (4.19)	3.1 (6.84)
pump with TURBO.DRIVE	kg (lbs)	2.5 (5.52)	3.7 (8.17)
pump with TURBO.DRIVE and air-cooling	kg (lbs)	2.8 (6.18)	4.0 (8.83)
and water-cooling	kg (lbs)	3.1 (6.84)	4.3 (9.49)
Max. rel. atmospheric humidity, approx.	%	95 (non-condensing)	

C09





Technical Data

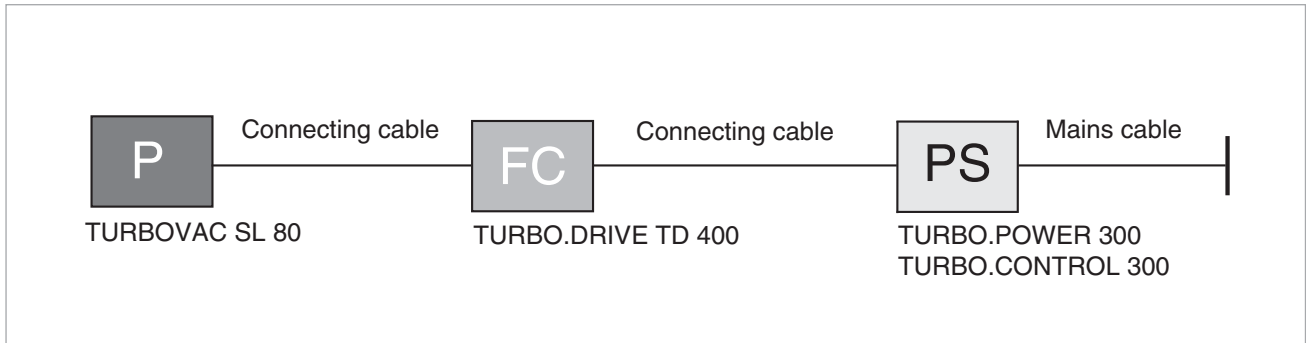
TURBO.DRIVE TD 400

Power supply	V DC	24 ± 10%
Ripple	%	< 3
Output		
Voltage, 3 phase	V DC	0 to 24
Power	W	160
Frequency	Hz	0 to 1500
Ambient temperature during operation	°C (°F)	+10 to +45 (+41 to +113)
during storage	°C (°F)	-15 to +60 (-5 to +158)
Weight, approx.	kg (lbs)	0.7 (1,55)
Serial interface		RS 232 C, RS 485 C or Profibus

Ordering Information

TURBOVAC SL 80

TURBOVAC SL 80 with compound stage	P	Part No.				
DN 63 ISO-K / DN 16 KF DN 63 CF / DN 16 KF		800002V3001 800002V3002				
Mandatory Accessories		P	FC	PS		
Electronic frequency converter TURBO.DRIVE TD 400 with RS 232 C interface with RS 485 C interface with Profibus with Ethernet/IP		800073V0002 800073V0003 800073V0004 800073V0007				
Connecting cable pump - frequency converter 0.2 m 0.3 m 0.4 m 0.5 m 1.0 m 2.5 m 3.0 m 5.0 m		800152V0021 800152V0023 800152V0022 800152V0050 152 47 864 49 864 40 864 50				
Power supply and control unit TURBO.CONTROL 300		800100V0001				
24 V connecting cable power supply - TURBO.CONTROL 300 1 m 3 m 5 m 10 m 20 m		800091V0100 800091V0300 800091V0500 800091V1000 800091V2000				
Power supply TURBO.POWER 300		800100V0002				
24 V connecting cable power supply - TURBO.POWER 300 1 m 3 m 5 m 10 m 20 m		800094V0100 800094V0300 800094V0500 800094V1000 800094V2000				
Mains cable 3 m - TURBO.CONTROL 300 / TURBO.POWER 300 with Euro plug with UK plug with US plug 5-15 P with US plug 115 V		800102V0002 800102V0003 800102V1002 992 76 513				
START/STOP switch for manual operation of the turbomolecular pump		152 48				
Forevacuum pump TRIVAC D 2,5 E 220-240 V, 50 Hz; 230 V, 60 Hz; earthed plug, EU version 110-120 V / 220-240 V, 50/60 Hz, without plug, (world version) 110-120 V, 50/60 Hz; NEMA plug, US version 100 V, 50/60 Hz; NEMA plug, Japan version TRIVAC NT 5 1 phase Euro motor; 220-240 / 230 V, 50/60 Hz 1 phase Japan motor; 100 V, 50/60 Hz DIVAC 0,8 T 1 phase motor; 198-264 V, 50/60 Hz 1 phase motor; 90-127 V, 50/60 Hz SCROLLVAC SC 5 D 1 phase motor; 200-230 V, 50/60 Hz 1 phase motor; 100-115 V, 50/60 Hz SCROLLVAC SC 15 D 1 phase motor; 200-230 V, 50/60 Hz 1 phase motor; 100-115 V, 50/60 Hz 3 phase motor; 380-415 V, 50 Hz / 200-230 V, 460 V, 60 Hz		140 000 140 001 140 002 140 003 140 214 140 216 127 80 127 81 133 000 133 100 133 001 133 101 133 003				
For further types, see our Full Line Catalog						



Ordering Information

TURBOVAC SL 80

Optional Accessories	P	FC	PS	Part No.
Mounting kit TD 400 for SL 80, incl. 0.2 m long connecting cable pump - frequency converter for installing the frequency converter beside the pump for installing the frequency converter beneath the pump (not for 800073V0007)				800110V0005 800110V0008
Water cooling unit with 2x G 1/8-in. connections, including 2 hose nozzles G 1/8-in., 8 mm OD, 2 gaskets (copper) 10 x 14 x 1 and hose clamps				800135V0001
Air cooling unit				800136V0001
Flange heater DN 63 CF, 230 V, 50 Hz DN 63 CF, 110 V, 50 Hz				854 04 854 07
Splinter guard DN 63 ISO-K (coarse) DN 63 CF (coarse) DN 63 CF (fine)				200 17 170 200 17 171 887 20
Vibration absorber DN 63 ISO-K DN 63 CF				800131V0063 500 070
Pump connection adapter DN 10 KF / pump connection M 8 (incl. O-ring, filter and clamping ring)				800110V0011
Purge gas and venting valve Gas flow at 1 bar 0.4 mbar x l x s ⁻¹ (24 sccm), Pump connection DN 10 KF / gas connection G 1/4" 100 - 230 V AC 24 V DC				800152V0014 800152V0013
Gas filter to G 1/4" for purge gas and venting valve				800110V0012
Replacement filter				200 18 515
Power failure venting valve, normally open 24 V DC, DN 16 KF				800120V0021
Power failure venting valve, normally open 24 V DC, DN 10 KF 230 V AC / 50/60 Hz, DN 10 KF				174 46 174 26
Hat rail adaptor as mounting aid				800102V0003
Fin type cooler				800110V0001

C09

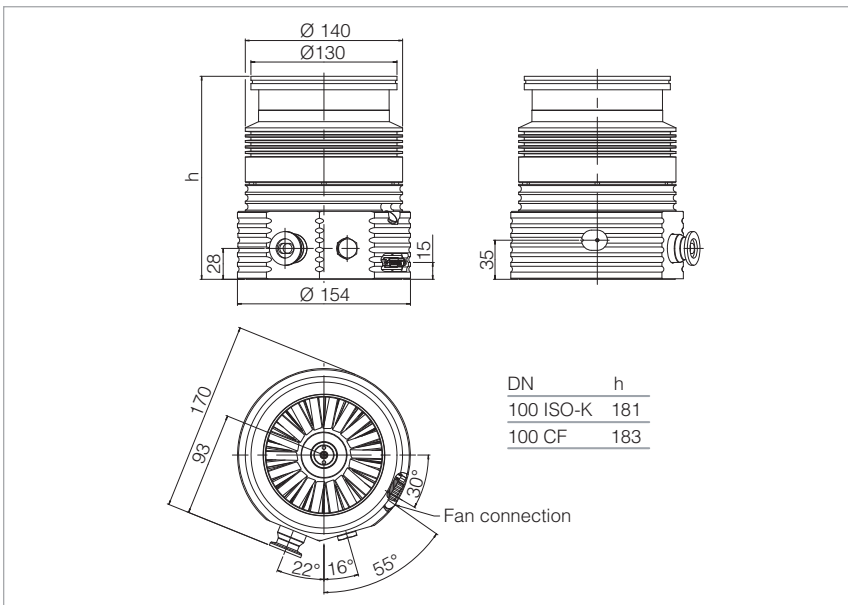
Mechanical Rotor Suspension with Frequency Converter for Attaching or Separate with Compound Stage

TURBOVAC SL 300



Typical Applications

- Particle accelerators
- Mass spectrometers (gas chromatography GC-MS), liquid chromatography (LC-MS), time of flight (TOF-MS), residual gas analysis, etc.)
- Electron beam microscopy
- Coating technology
- XHV-/UHV systems
- Transfer chambers



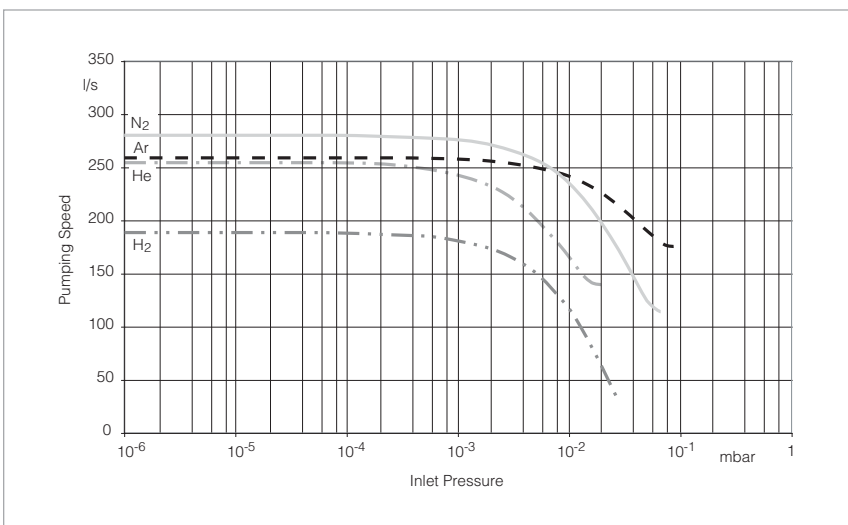
Dimensional drawing for the TURBOVAC SL 300

Technical Features

- Oil free pump
- High pressure foreline tolerance
- Excellent resistance to vibration due to proven mechanical bearings
- Efficient convection cooling due to a large number of cooling fins
- Purge gas/venting connection
- Installation in any orientation
- Flexible attachment of the frequency converter to the pump
- Small footprint
- Delayed venting through the frequency converter TURBO.DRIVE TD 400 (optional)
- Selection of interfaces, RS 232 C, RS 485 C, Profibus, Ethernet

Advantages to the User

- Easy to integrate into complex vacuum systems
- Space-saving
- Prepared for pumping of slightly corrosive gases owing to the seal gas connection
- High reliability, MTBF over 200,000 hours
- Matching accessories (fan, water cooling, seal gas/venting valves, power failure venting valves, flange heaters, different cable lengths etc.)
- High reliability due to self-monitoring



Pumping speed as a function of the inlet pressure

Technical Data

TURBOVAC SL 300

		O-ring sealed	Metal sealed
Inlet flange	DN	100 ISO-K • 100 CF	
Foreline flange	DN	DN 16 KF	
Purge and vent port		M 8	
Pump housing		Aluminum	Stainless steel
Pumping speed (without splinter guard)			
N ₂	l x s ⁻¹	270	
Ar	l x s ⁻¹	260	
H ₂	l x s ⁻¹	190	
He	l x s ⁻¹	255	
Max. gas throughput with water cooling			
N ₂	mbar x l x s ⁻¹	2.9	
Ar	mbar x l x s ⁻¹	2.0	
H ₂	mbar x l x s ⁻¹	0.9	
He	mbar x l x s ⁻¹	1.9	
Ultimate pressure for CF version with two-stage oil-sealed rotary vane vacuum pump	mbar (Torr)	< 10 ⁻¹⁰ (< 10 ⁻¹⁰)	
Max. recommended foreline pressure for N ₂ water-cooled	mbar (Torr)	< 8 (< 6)	
Recommended forevacuum pump rotary vane vacuum pump with scroll vacuum pump diaphragm pump		TRIVAC D 2,5 E / TRIVAC NT 5 / 10 SCROLLVAC SC 5 /15 D DIVAC 2,5 VT	
Operating speed	min ⁻¹	60.000	
Run-up time, approx.	min	4	
Power consumption at run-up	W	115	
at ultimate pressure	W	18	
Protection class	IP	20	
Noise level	dB(A)	< 49	
Ambient temperature during operation (water-cooled pump)	°C (°F)	+15 to +45 (+50 to +113)	
during storage	°C (°F)	-15 to +70 (-5 to +158)	
Weight, approx.			
pump	kg (lbs)	5.2 (11.48)	7.4 (16.34)
pump with TURBO.DRIVE	kg (lbs)	5.8 (12.80)	8.0 (17.66)
pump with TURBO.DRIVE and air-cooling	kg (lbs)	6.3 (13.91)	8.5 (18.76)
and water-cooling	kg (lbs)	6.1 (13.47)	8.3 (18.32)
Max. rel. atmospheric humidity, approx.	%	95 (non-condensing)	

C09





Technical Data

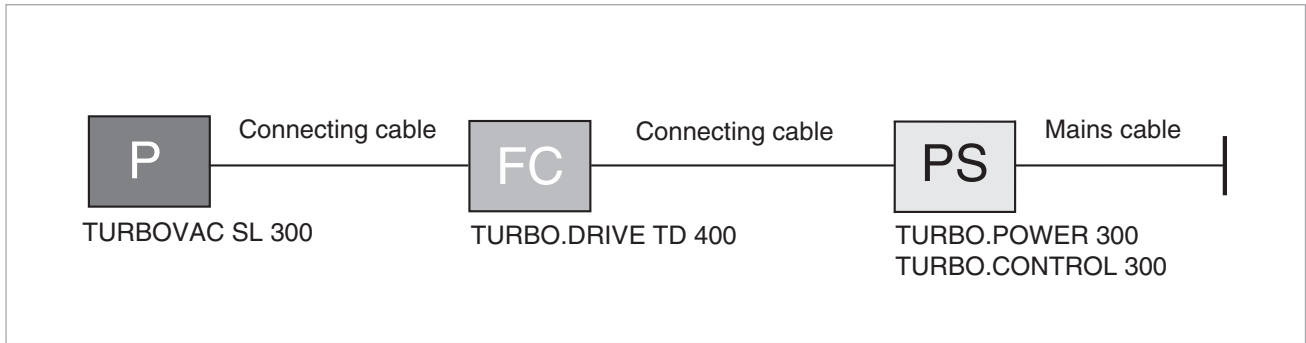
TURBO.DRIVE TD 400

Power supply	V DC	24 ± 10%
Ripple	%	< 3
Output		
Voltage, 3 phase	V DC	0 to 24
Power	W	160
Frequency	Hz	0 to 1500
Ambient temperature during operation	°C (°F)	+10 to +45 (+41 to +113)
during storage	°C (°F)	-15 to +60 (-5 to +158)
Weight, approx.	kg (lbs)	0.7 (1,55)
Serial interface		RS 232 C, RS 485 C or Profibus

Ordering Information

TURBOVAC SL 300

TURBOVAC SL 300 with compound stage P	Part No.	
DN 100 ISO-K / DN 16 KF DN 100 CF / DN 16 KF	800170V3005 800170V3006	
Mandatory Accessories P FC PS		
Electronic frequency converter TURBO.DRIVE TD 400 with RS 232 C interface with RS 485 C interface with Profibus with Ethernet/IP	800073V0002 800073V0003 800073V0004 800073V0007	
Connecting cable pump - frequency converter 0.2 m 0.3 m 0.4 m 0.5 m 1.0 m 2.5 m 3.0 m 5.0 m	800152V0021 800152V0023 800152V0022 800152V0050 152 47 864 49 864 40 864 50	
Power supply and control unit TURBO.CONTROL 300	800100V0001	
24 V connecting cable power supply - TURBO.CONTROL 300 1 m 3 m 5 m 10 m 20 m	800091V0100 800091V0300 800091V0500 800091V1000 800091V2000	
Power supply TURBO.POWER 300	800100V0002	
24 V connecting cable power supply - TURBO.POWER 300 1 m 3 m 5 m 10 m 20 m	800094V0100 800094V0300 800094V0500 800094V1000 800094V2000	
Mains cable 3 m - TURBO.CONTROL 300 / TURBO.POWER 300 with Euro plug with UK plug with US plug 5-15 P with US plug 115 V	800102V0002 800102V0003 800102V1002 992 76 513	
START/STOP switch for manual operation of the turbomolecular pump	152 48	
Forevacuum pump TRIVAC D 2,5 E 220-240 V, 50 Hz; 230 V, 60 Hz; earthed plug, EU version 110-120 V / 220-240 V, 50/60 Hz, without plug, (world version) 110-120 V, 50/60 Hz; NEMA plug, US version 100 V, 50/60 Hz; NEMA plug, Japan version TRIVAC NT 5 1 phase Euro motor; 220-240 / 230 V, 50/60 Hz 1 phase Japan motor; 100 V, 50/60 Hz SCROLLVAC SC 5 D 1 Phasen-Motor; 200-230 V, 50/60 Hz 1 Phasen-Motor; 100-115 V, 50/60 Hz SCROLLVAC SC 15 D 1 phase motor; 200-230 V, 50/60 Hz 1 phase motor; 100-115 V, 50/60 Hz 3 phase motor; 380-415 V, 50 Hz / 200-230 V, 460 V, 60 Hz	140 000 140 001 140 002 140 003 140 214 140 216 133 000 133 100 133 001 133 101 133 003	
For further types, see our Full Line Catalog		



Ordering Information

TURBOVAC SL 300

Optional Accessories	P	FC	PS	Part No.
Mounting kit TD 400 for SL 300, incl. 0.2 m long connecting cable pump - frequency converter for installing the frequency converter beside the pump for installing the frequency converter beneath the pump (not for 800073V0007)				800110V0006 800110V0009
Water cooling unit with 2x G 1/8-in. connections, including 2 hose nozzles G 1/8-in., 8 mm OD, 2 gaskets (copper) 10 x 14 x 1 and hose clamps				800135V0002
Air cooling unit				800136V0002
Flange heater DN 100 CF, 230 V, 50 Hz DN 100 CF, 110 V, 50 Hz				854 27 854 28
Splinter guard DN 100 ISO-K/CF (coarse) DN 100 ISO-K/CF (fine)				800132V0101 800132V0102
Vibration absorber DN 100 ISO-K DN 100 CF				800131V0100 500 071
Pump connection adapter DN 10 KF / pump connection M 8 (incl. O-ring, filter and clamping ring)				800110V0011
Purge gas and venting valve Gas flow at 1 bar 0.2 mbar x l x s ⁻¹ (12 sccm), Pump connection DN 10 KF / gas connection G 1/4" 100 - 230 V AC 24 V DC				800152V0019 113 50
Gas filter to G 1/4" for purge gas and venting valve				800110V0012
Replacement filter				200 18 515
Power failure venting valve, normally open 24 V DC, DN 16 KF				800120V0021
Power failure venting valve, normally open 24 V DC, DN 10 KF 230 V AC / 50/60 Hz, DN 10 KF				174 46 174 26
Hat rail adaptor as mounting aid				800102V0003
Fin type cooler				800110V0001

C09

Mechanical Rotor Suspension with Frequency Converter for Attaching or Separate with Compound Stage

TURBOVAC SL 700



Typical Applications

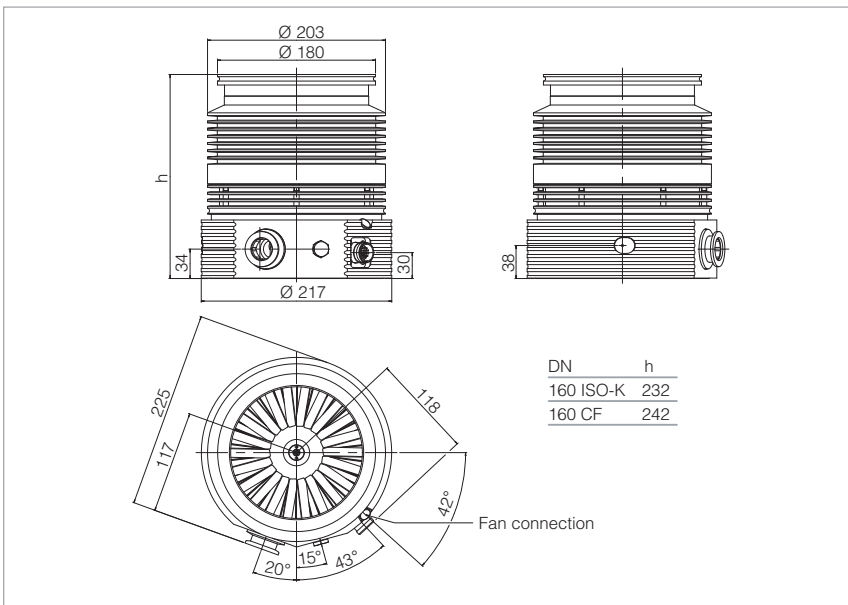
- Mass spectrometers (gas chromatography GC-MS), liquid chromatography (LC-MS), etc.
- Coating technology
- UHV systems
- Transfer chambers

Technical Features

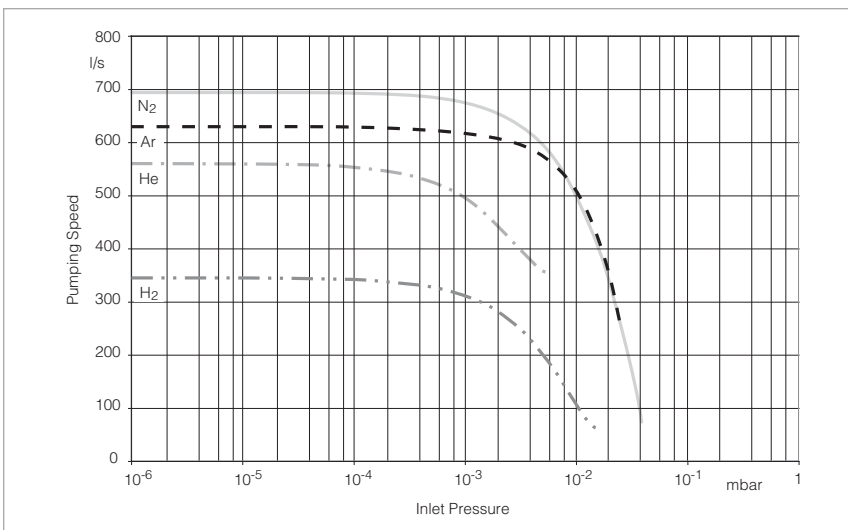
Highest pumping speed in the DN 160 flange category

Oil free pump

- Excellent resistance to vibration due to proven mechanical bearings
- Efficient convection cooling due to a large number of cooling fins
- Purge gas/venting connection
- Installation in any orientation
- Flexible attachment of the frequency converter to the pump
- Small footprint
- Selection of interfaces, RS 232 C, RS 485 C, Profibus



Dimensional drawing for the TURBOVAC SL 700



Pumping speed as a function of the inlet pressure

Advantages to the User

- Easy to integrate into complex vacuum systems
- Space-saving
- Prepared for pumping of slightly corrosive gases owing to the seal gas connection
- High reliability, MTBF over 200,000 hours
- Matching accessories (fan, water cooling, seal gas/venting valves, power failure venting valves, flange heaters, different cable lengths etc.)
- High reliability due to self-monitoring

Technical Data

TURBOVAC SL 700

		O-ring sealed	Metal sealed
Inlet flange	DN	160 ISO-K • 160 CF	
Foreline flange	DN	25 KF	
Purge and vent port		M 8	
Pump housing		Aluminum	Stainless steel
Pumping speed (without splinter guard)			
N ₂	l x s ⁻¹	690	
Ar	l x s ⁻¹	630	
He	l x s ⁻¹	580	
H ₂	l x s ⁻¹	360	
Max. gas throughput with water cooling			
N ₂	mbar x l x s ⁻¹	5.6	Upon request
Ar	mbar x l x s ⁻¹	4.6	Upon request
He	mbar x l x s ⁻¹	2.0	Upon request
H ₂	mbar x l x s ⁻¹	0.9	Upon request
Ultimate pressure for CF version with two-stage oil-sealed rotary vane vacuum pump	mbar (Torr)	< 10 ⁻⁹ (< 10 ⁻⁹)	
Max. recommended foreline pressure for N ₂ water-cooled	mbar (Torr)	15 (11,3)	
Recommended forevacuum pump		TRIVAC NT 10 / 16 SCROLLVAC SC 15 / 30 D	
Operating speed	min ⁻¹	48.000	
Run-up time, approx.	min	5	
Power consumption			
at run-up	W	270	
at ultimate pressure	W	60	
Protection class	IP	20	
Noise level	dB(A)	< 44	
Ambient temperature			
during operation	°C (°F)	+10 to +45 (+50 to +113)	
at standstill	°C (°F)	-15 to +60 (-5 to +140)	
Weight, approx.			
pump	kg (lbs)	14.0 (30.91)	17.3 (38.19)
pump with TURBO.DRIVE	kg (lbs)	14.8 (32.67)	18.1 (39.96)
pump with TURBO.DRIVE and air-cooling	kg (lbs)	16.0 (35.32)	19.3 (42.60)
and water-cooling	kg (lbs)	15.1 (33.33)	18.4 (40.62)
Max. rel. atmospheric humidity, approx.	%	5 to 85 (non-condensing)	

C09




Technical Data

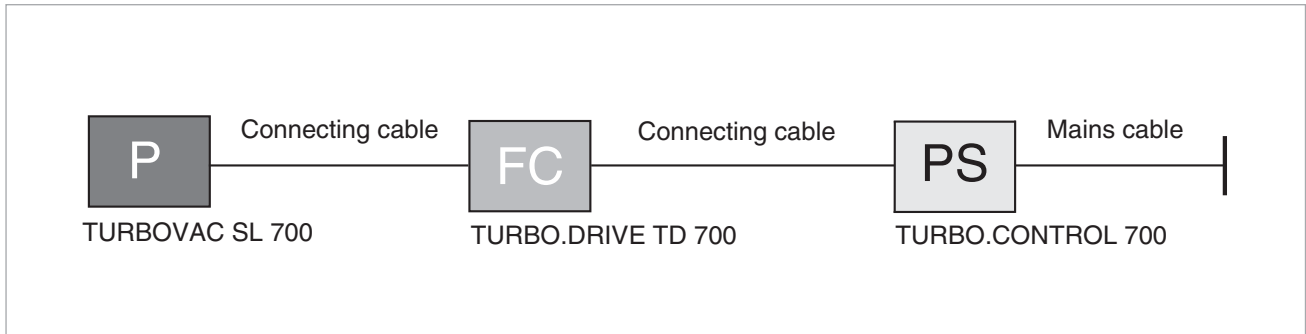
TURBO.DRIVE TD 700

Power supply	V DC	24 ± 10%
Ripple	%	< 3
Output		
Voltage, 3 phase	V DC	0 to 24
Power	W	160
Frequency	Hz	0 to 1500
Ambient temperature		
during operation	°C (°F)	+10 to +45 (+50 to +113)
during storage	°C (°F)	-15 to +60 (-5 to +140)
Weight, approx.	kg (lbs)	0.7 (1,55)
Serial interface		RS 232 C, RS 485 C or Profibus

Ordering Information

TURBOVAC SL 700

TURBOVAC SL 700 with compound stage	P	Part No.	
DN 160 ISO-K / DN 25 KF DN 160 CF / DN 25 KF		800051V3001 800051V3002	
Mandatory Accessories			
Electronic frequency converter TURBO.DRIVE TD 700 with RS 232 C interface with RS 485 C interface with Profibus	P FC PS	800074V0001 800074V0003 800074V0004	
Connecting cable pump - frequency converter 0.4 m 1.0 m 2.5 m 3.0 m 5.0 m 10.0 m		800080V0040 800084V0100 800080V0042 800084V0300 800084V0500 800084V1000	
Power supply and control unit TURBO.CONTROL 700		800101V0001	
Connecting cable TURBO.DRIVE TD 700 - TURBO.CONTROL 700 1 m 3 m 5 m 10 m 20 m		800093V0100 800093V0300 800093V0500 800093V1000 800093V2000	
Mains cable 3 m - TURBO.CONTROL 700 with Euro plug with UK plug with US plug 5-15 P		800102V0002 800102V0003 800102V1002	
START/STOP switch for manual operation of the turbomolecular pump		152 48	
Forevacuum pump TRIVAC NT 10 1 Phasen Euro-Motor; 220-240 / 230 V, 50/60 Hz 1 Phasen Japan-Motor; 100 V, 50/60 Hz TRIVAC NT 16 1 Phasen Euro-Motor 1 Phasen US/Japan-Motor Stromversorgungskabel für TRIVAC NT 16 100-120 V, 50/60 Hz; NEMA-Stecker 200-240 V, 50/60 Hz; Schuko-Stecker SCROLLVAC SC 15 D 1 phase motor; 200-230 V, 50/60 Hz 1 phase motor; 100-115 V, 50/60 Hz 3 phase motor; 380-415 V, 50 Hz / 200-230 V, 460 V, 60 Hz SCROLLVAC SC 30 D 1 phase motor; 200-230 V, 50/60 Hz 1 phase motor; 100-115 V, 50/60 Hz 3 phase motor; 380-415 V, 50 Hz / 200-230 V, 460 V, 60 Hz For further types, see our Full Line Catalog		140 314 140 316 140 231 140 241 140 304 140 306 133 001 133 101 133 003 133 002 133 102 133 004	



Ordering Information

TURBOVAC SL 700

Optional Accessories	P	FC	PS	Part No.
Mounting kit TD 700 for SL 700, incl. 0.2 m long connecting cable pump - frequency converter for installing the frequency converter beside the pump for installing the frequency converter beneath the pump				800110V0007 800110V0010
Water cooling unit with 2 cooling coils includes 4x G 1/8-in. connections, including 4 hose nozzles G 1/8-in., 8 mm OD, 4 gaskets (copper) 10 x 14 x 1 and hose clamps				800135V0004
Air cooling unit				800136V0003
Flange heater DN 160 CF, 230 V, 50 Hz DN 160 CF, 110 V, 50 Hz				854 37 854 38
Splinter guard DN 160 ISO-K DN 160 CF				200 00 307 200 17 247
Vibration absorber DN 160 ISO-K DN 160 CF				500 073 500 072
Pump Connection adapter DN 10 KF / pump connection M 8 (incl. O-ring, filter and clamping ring)				800110V0011
Purge gas and venting valve Gas flow at 1 bar 0,6 mbar x l x s ⁻¹ (36 sccm), Pump connection DN 10 KF / Gas connection G 1/4" 100 - 230 V AC 24 V DC				800152V0040 800152V0012
Gas filter to G 1/4" for purge gas and venting valve				800110V0012
Replacement filter				200 18 515
Power failure venting valve, normally open 24 V DC, DN 16 KF				800120V0021
Power failure venting valve, normally open 24 V DC, DN 10 KF 230 V AC / 50/60 Hz, DN 10 KF				174 46 174 26
Venting valve, 24 V				800120V0011

C09

Sales and Service

Germany

Oerlikon
Leybold Vacuum GmbH
Bonner Strasse 498
D-50968 Cologne
Phone: +49-(0)221-347 1234
Fax: +49-(0)221-347 1245
sales.vacuum@oerlikon.com
www.oerlikon.com

Oerlikon
Leybold Vacuum GmbH
Sales Area North/Northeast
Branch Office Berlin
Buschkrugallee 33
1. Obergeschoss
D-12359 Berlin
Phone: +49-(0)30-435 609 0
Fax: +49-(0)30-435 609 10
sales.vacuum.bn@oerlikon.com

Oerlikon
Leybold Vacuum GmbH
Sales Area South/Southwest
Branch Office Munich
Karl-Hammerschmidt-Strasse 34
D-85609 Aschheim-Dornach
Phone: +49-(0)89-357 33 9-10
Fax: +49-(0)89-357 33 9-33
sales.vacuum.mn@oerlikon.com
service.vacuum.mn@oerlikon.com

Oerlikon
Leybold Vacuum GmbH
Sales Area West & Benelux
Branch Office Cologne
Bonner Strasse 498
D-50968 Cologne
Phone: +49-(0)221-347 1270
Fax: +49-(0)221-347 1291
sales.vacuum.kn@oerlikon.com

Oerlikon
Leybold Vacuum GmbH
Service Competence Center
Emil-Hoffmann-Strasse 43
D-50996 Cologne-Suerth
Phone: +49-(0)221-347 1439
Fax: +49-(0)221-347 1945
service.vacuum.kn@oerlikon.com

Oerlikon
Leybold Vacuum GmbH
Mobil Customer Service
Emil-Hoffmann-Strasse 43
D-50996 Cologne-Suerth
Phone: +49-(0)221-347 1765
Fax: +49-(0)221-347 1944
service.vacuum.kn@oerlikon.com

Oerlikon
Leybold Vacuum
Dresden GmbH
Zur Wetterwarte 50, Haus 304
D-01109 Dresden
Service:
Phone: +49-(0)351-88 55 00
Fax: +49-(0)351-88 55 041
info.vacuum.dr@oerlikon.com

Oerlikon
Leybold Vacuum USA Inc.
5700 Mellon Road
USA-Export, PA 15632
Phone: +1-724-327-5700
Fax: +1-724-325-3577
info.vacuum.ex@oerlikon.com

Europe

Belgium
Oerlikon
Leybold Vacuum Nederland B.V.
Belgisch bijkantoor
Leuvensesteenweg 542-9A
B-1930 Zaventem
Sales:
Phone: +32-2-711 00 83
Fax: +32-2-720 83 38
sales.vacuum.zv@oerlikon.com
Service:
Phone: +32-2-711 00 82
Fax: +32-2-720 83 38
service.vacuum.zv@oerlikon.com

France
Oerlikon
Leybold Vacuum France S.A.
7, Avenue du Québec
Z.A. Courtaboef 1 - B.P. 42
F-91942 Courtaboeuf Cedex
Sales and Service:
Phone: +33-1-69 82 48 00
Fax: +33-1-69 07 57 38
sales.vacuum.or@oerlikon.com

Oerlikon
Leybold Vacuum France S.A.
Valence Factory
640, Rue A. Bergès - B.P. 107
F-26501 Bourg-lès-Valence Cedex
Phone: +33-4-75 82 33 00
Fax: +33-4-75 82 92 69
info.vacuum.vc@oerlikon.com

Great Britain
Oerlikon
Leybold Vacuum UK Ltd.
Unit 2
Silverglade Business Park
Leatherhead Road
UK-Chessington, Surrey KT9 2QL
Sales:
Phone: +44-13-7273 7300
Fax: +44-13-7273 7301
sales.vacuum.ln@oerlikon.com
Service:
Phone: +44-20-8971 7030
Fax: +44-20-8971 7003
service.vacuum.ln@oerlikon.com

Italy
Oerlikon
Leybold Vacuum Italia S.p.A.
8, Via Trasimeno
I-20128 Milano
Sales:
Phone: +39-02-27 22 31
Fax: +39-02-27 20 96 41
sales.vacuum.mi@oerlikon.com
Service:
Phone: +39-02-27 22 31
Fax: +39-02-27 22 32 17
service.vacuum.mi@oerlikon.com

Oerlikon
Leybold Vacuum Italia S.p.A.
Field Service Base
Z.I. Le Capanne
I-05021 Acquasparta (TR)
Phone: +39-0744-93 03 93
Fax: +39-0744-94 42 87
service.vacuum.mi@oerlikon.com

Netherlands
Oerlikon
Leybold Vacuum Nederland B.V.
Proostwetering 24N
NL-3543 AE Utrecht
Sales and Service:
Phone: +31-(30) 242 6330
Fax: +31-(30) 242 6331
sales.vacuum.ut@oerlikon.com
service.vacuum.ut@oerlikon.com

Spain
Oerlikon
Leybold Vacuum Spain, S.A.
C/. Huelva, 7
E-08940 Cornellà de Llobregat
(Barcelona)
Sales:
Phone: +34-93-666 46 16
Fax: +34-93-666 43 70
sales.vacuum.ba@oerlikon.com
Service:
Phone: +34-93-666 49 51
Fax: +34-93-685 40 10
service.vacuum.ba@oerlikon.com

Sweden
Oerlikon
Leybold Vacuum Scandinavia AB
Box 9084
SE-40092 Göteborg
Sales and Service:
Phone: +46-31-68 84 70
Fax: +46-31-68 39 39
info.vacuum.gt@oerlikon.com
Visiting/delivery address:
Datavägen 57B
SE-43632 Askim

Switzerland
Oerlikon
Leybold Vacuum Schweiz AG
Leutschenbachstrasse 55
CH-8050 Zürich
Sales:
Phone: +41-044-308 40 50
Fax: +41-044-302 43 73
sales.vacuum.zh@oerlikon.com
Service:
Phone: +41-044-308 40 62
Fax: +41-044-308 40 60
service.vacuum.zh@oerlikon.com

America

USA
Oerlikon
Leybold Vacuum USA Inc.
5700 Mellon Road
USA-Export, PA 15632
Phone: +1-724-327-5700
Fax: +1-724-325-3577
info.vacuum.ex@oerlikon.com
Sales:
Eastern & Central time zones
Phone: +1-724-327-5700
Fax: +1-724-333-1217
Pacific, Mountain, Alaskan & Hawaiian time zones
Phone: +1-480-752-9191
Fax: +1-480-752-9494
Service:
Phone: +1-724-327-5700
Fax: +1-724-325-3577

Latin America
Oerlikon
Leybold Vacuum USA Inc.
Brazilian Office
Av. Dória 360 cj. 12 Campo Belo
04635-070 São Paulo SP BRAZIL
Sales:
Phone: +55 11-3554 3117
Fax: +55 11-3554 3117
Nelson.Batistucci@oerlikon.com

Oerlikon
Leybold Vacuum GmbH
Bonner Strasse 498
D-50968 Cologne
Phone: +49-(0)221-347 0
Fax: +49-(0)221-347 1250
info.vacuum.ex@oerlikon.com

Asia

P.R. China
Oerlikon
Leybold Vacuum (Tianjin) International Trade Co. Ltd.
Beichen Economic Development Area (BEDA), No.8 Western Shuangchen Road
Tianjin 300400
China
Sales and Service:
Phone: +86-22-2697 0808
Fax: +86-22-2697 4061
Fax: +86-22-2697 2017
sales.vacuum.tj@oerlikon.com
service.vacuum.tj@oerlikon.com

Oerlikon
Leybold Vacuum (Tianjin) Co. Ltd.
Beichen Economic Development Area (BEDA), No.8 Western Shuangchen Road
Tianjin 300400
China
Sales and Service:
Phone: +86-22-2697 0808
Fax: +86-22-2697 4061
Fax: +86-22-2697 2017
info.vacuum.tj@oerlikon.com
service.vacuum.tj@oerlikon.com

Oerlikon
Leybold Vacuum (Tianjin) International Trade Co. Ltd.
Shanghai Branch:
Add: No.33
76 Futedong San Rd.
Waigaoqiao FTZ
Shanghai 200131
China
Sales and Service:
Phone: +86-21-5064-4666
Fax: +86-21-5064-4668
info.vacuum.sh@oerlikon.com
service.vacuum.tj@oerlikon.com

Oerlikon
Leybold Vacuum (Tianjin) International Trade Co. Ltd.
Guangzhou Office and Service Center
1st F, Main Building
Science City Plaza,
No.111 Science Revenue,
Guangzhou Science City (GZSC) 510663, Guangzhou, China
Sales:
Phone: +86-20-8723-7873
Phone: +86-20-8723-7597
Fax: +86-20-8723-7875
info.vacuum.gz@oerlikon.com
service.vacuum.tj@oerlikon.com

Oerlikon
Leybold Vacuum (Tianjin) International Trade Co. Ltd.
Beijing Branch:
1-908, Beijing Landmark Towers
8 North Dongsanhuan Road
Chaoyang District
Beijing 100004
China
Sales:
Phone: +86-10-6590-7622
Fax: +86-10-6590-7607
sales.vacuum.bj@oerlikon.com

India
Oerlikon
Leybold Vacuum India Pvt Ltd.
EL-22, J Block
MIDC Bhosari
Pune 411026
India
Sales and Service:
Phone: +91-20-3061 60000
Fax: +91-20-2712 1571
sales.vacuum.pu@oerlikon.com
service.vacuum.pu@oerlikon.com

Japan
Oerlikon
Leybold Vacuum Japan Co., Ltd.
Headquarter
23-3, Shin-Yokohama
3-chome
Tobu A.K. Bldg. 4th Floor
Kohoku-ku
Yokohama-shi 222-0033
Sales:
Phone: +81-45-471-3330
Fax: +81-45-471-3323
info.vacuum.yh@oerlikon.com
sales.vacuum.yh@oerlikon.com

Oerlikon
Leybold Vacuum Japan Co., Ltd.
Osaka Sales Office
5-13, Kawagishi-machi
Suita-chi
Osaka 564-0037
Phone: +81-6-6393-5211
Fax: +81-6-6393-5215
info.vacuum.os@oerlikon.com
sales.vacuum.os@oerlikon.com

Oerlikon
Leybold Vacuum Japan Co., Ltd.
Tsukuba Technical Service Center
Kogyo Danchi
21, Kasuminosato,
Ami-machi, Inashiki-gun
Ibaraki-ken, 300-0315
Service:
Phone: +81-298 89 2841
Fax: +81-298 89 2838
info.vacuum.iik@oerlikon.com
sales.vacuum.iik@oerlikon.com

Korea
Oerlikon
Leybold Vacuum Korea Ltd.
3F, Jellzone 2 Tower, 159-4
Jeongja-Dong, Bundang-Gu
Sungnam-Si, Gyeonggi-Do
Korea 463-384
Sales:
Phone: +82-31 785 1367
Fax: +82-31 785 1359

623-7, Upsung-Dong
Cheonan-Si
Chungcheongnam-Do
Korea 330-290
Service:
Phone: +82-41 589 3035
Fax: +82-41 588 0166

Singapore
Oerlikon
Leybold Vacuum Singapore Pte Ltd.
1 Science Park Road
Singapore Science Park 2
#02-12, Capricorn Building
Singapore 117528
Sales and Service:
Phone: +65-6303 7000
Fax: +65-6773 0039
sales.vacuum.sg@oerlikon.com
service.vacuum.sg@oerlikon.com

Taiwan
Oerlikon
Leybold Vacuum Taiwan Ltd.
No 416-1, Sec. 3
Chung-Hsin Rd., Chu-Tung
Hsin-Chu, Taiwan, R.O.C.
Sales and Service:
Phone: +886-3-500 1688
Fax: +886-3-583 3999
sales.vacuum.hc@oerlikon.com
service.vacuum.hc@oerlikon.com

oerlikon
leybold vacuum

www.oerlikon.com